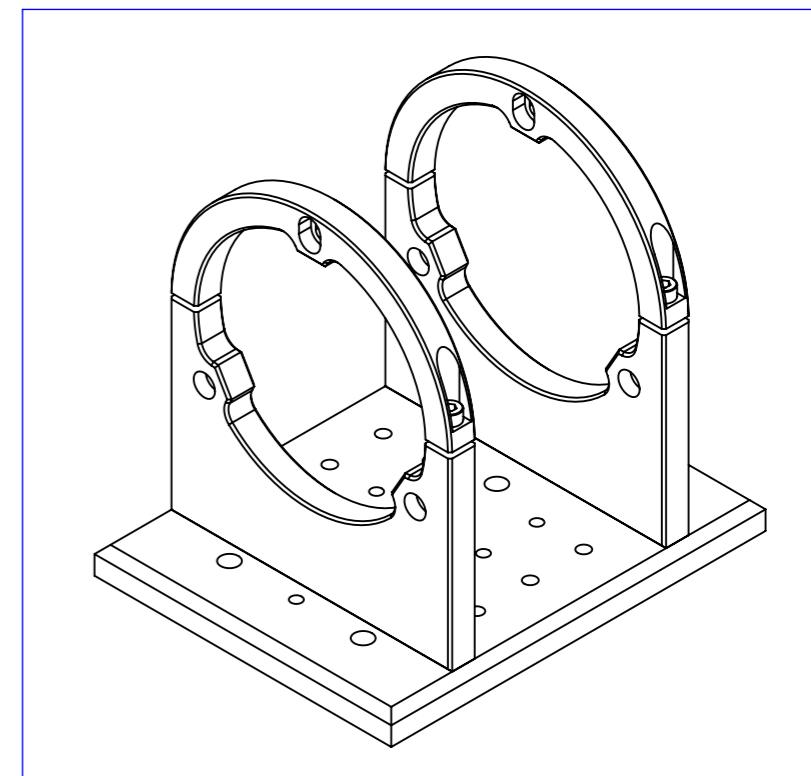
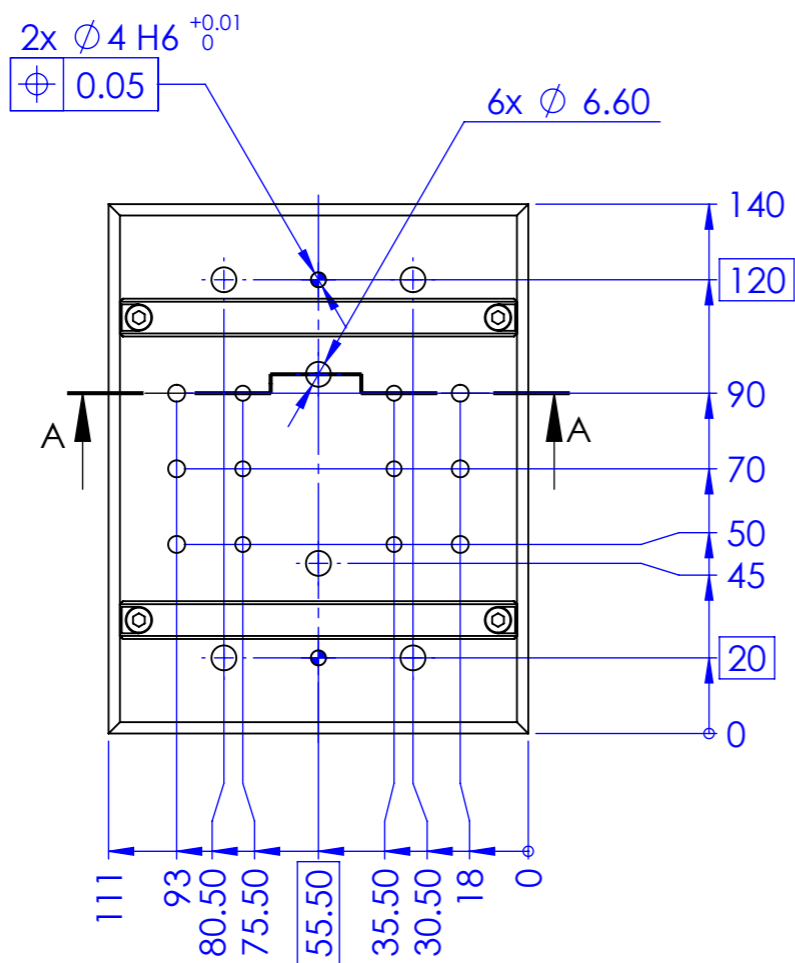
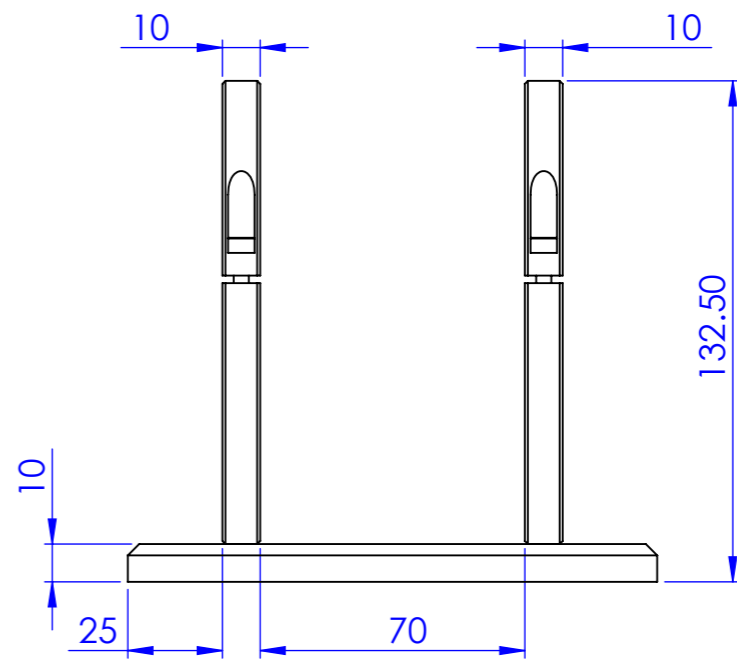
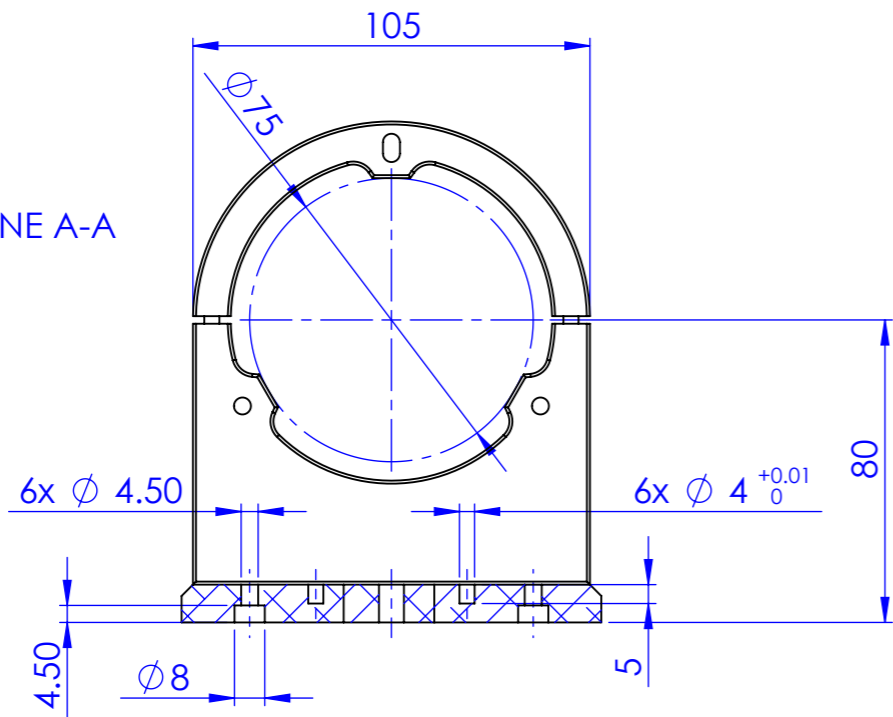


SEZIONE A-A



| | | | | | | | | | | | | | |
|--|----------|------------|-------------|--------------|---------------|---|----------------|----------------------|--|--------------|--|-----|--|
| Material | | N.A. | | Mass | | 732 g | | Scale | | 1:2 | | | |
| Surface treatment | | N.A. | | Part No. | | CO21320 | | | | | | | |
| Geometrical tolerance (ISO 2768-2) | | | | Class | | K | | Undimensioned bevels | | 0.5x45° | | | |
| Linear tolerance (ISO 2768-2) | | | | Class | | m | | Undimensioned radii | | R 0.5 | | | |
| 0.5 ±3 | >3÷ 6 | >6÷ 30 | >30÷ 120 | >120 ±400 | >400÷ 1000 | >1000 ±2000 | >2000 ±4000 | | | Description | | | |
| ±0.1 | ±0.1 | ±0.2 | ±0.3 | ±0.5 | ±0.8 | ±1.2 | ±2 | | | CMHOMC12K200 | | | |
| <p>OPTO ENGINEERING S.r.l. - Mantova, Italy - Tel. +39 0376699111 - www.opto-e.com</p> | | | | Date | | Name | | Drawing No. | | Sheet | | | |
| | | | | Designed | | 25/10/2021 | | Rizzotto | | DP 21320-B | | 1/1 | |
| | | | | Drawn | | 25/10/2021 | | Rodella | | | | | |
| Checked | | 03/11/2021 | | Ccharly | | Secret and confidential - All rights reserved - No copy, dissemination or circulation is allowed unless specifically authorized in writing by OPTO ENGINEERING S.r.l. - Any violation shall be legally prosecuted. | | | | | | | |

all dimensions are in mm